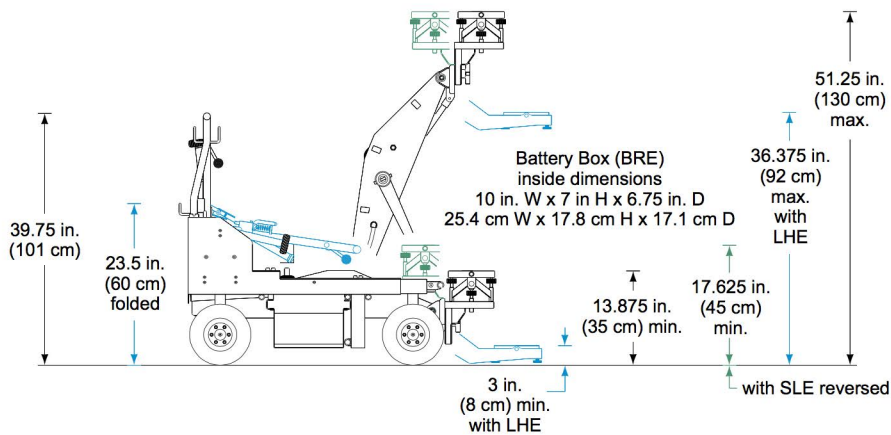


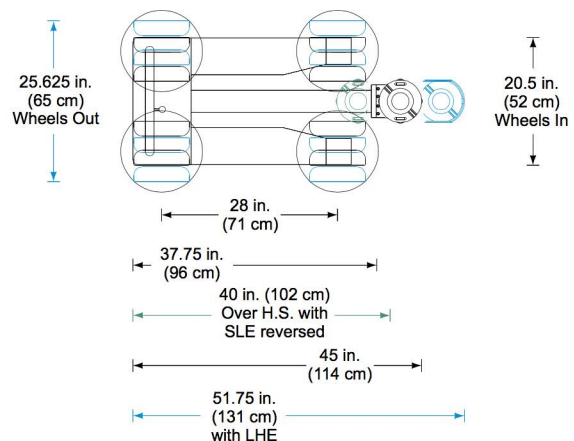


This is the smallest Fisher dolly, compact "lightweight" and maneuverable. The Dolly 11 has similar characteristics and operating as Dolly 10. this Fisher dolly is designed and produced to meet the demands of both the film and television industry. the compact size, the three-way control and the very stable lift arm provides a wide and flexible deployment. The Fisher dolly is reliable, quiet, smooth in operation and secure.



specs

| | |
|--------------|--------|
| Length | 102 cm |
| Min width | 52 cm |
| Max width | 68 cm |
| Track width | 62 cm |
| Min height | 8 cm |
| Max height | 130 cm |
| Weigth dolly | 140 kg |
| Lift power | 91 kg |



Standaard 62cm Track

Straight/Circle | Binnendiameter | Lengte | Aantal Stukken | Aantal °/st | Aantal °/m beschikbaar

Eurogrip Track

| | | | | | |
|----------|--------|-------|----|-------|-------------|
| Straight | | 2m | 32 | | 64m |
| | | 1m | 4 | | 4m |
| | | 0,5m | 1 | | 0,5m |
| Circle | 6m | 2,75m | 8 | 45° | full circle |
| | 9,38m | 2,2m | 12 | 30° | full circle |
| | 12,70m | 2,8m | 16 | 22,5° | full circle |
| | 17m | 2,25m | 24 | 15° | full circle |
| | 20m | 2,8m | 24 | 15° | full circle |
| | 24,62m | 3,5m | 2 | - | - |
| | 31,48m | 3m | 10 | 10° | 100° |

Moy Track

| | | | | | |
|----------|------|-------|----|-----|-------------|
| Straight | | 2,44m | 43 | | 104,92m |
| | | 1,88m | 4 | | 7,52m |
| | | 1,22m | 3 | | 3,66m |
| Circle | 4,7m | 2,4m | 8 | 45° | full circle |

PDC Track

| | | | | | |
|----------|--|------|----|--|------|
| Straight | | 2m | 26 | | 52m |
| | | 1,5m | 1 | | 1,5m |
| | | 1m | 3 | | 3m |
| | | 0,5m | 2 | | 1m |

Plooirail

| | | | | | |
|----------|------|-------|----|-----|-------------|
| Straight | | 2m | 52 | | 104m |
| | | 1,52m | 2 | | 3,04m |
| | | 1m | 1 | | 1m |
| Circle | 4,6m | 2,3m | 8 | 45° | full circle |

Mono Track KGS

| | | | | | |
|----------|--|------|---|--|-----|
| Straight | | 3m | 4 | | 12m |
| | | 2m | 1 | | 2m |
| | | 1m | 1 | | 2m |
| | | 0,5m | 2 | | 1m |

IN OVERLEG MET DE KLANT KAN ELKE MOGELIJKE MAAT GEPLOOID WORDEN.